

# ALKU S&S

DESIGN IIRO VILJANEN

Inspiring  
spaces

**Martela**



**Adjustments:**

The desk is electrically adjusted.  
Stroke 650 mm, adjustment range 640-1290 mm.

**Accessories:**

CPU holders, acoustic products, wire accessories, table shelves, table screens, monitor arms, front panels, sorters.

**Material description:**

Conforming with E0,5 requirements, the table tops are made of either particle board with a laminate coating or MDF board with birch, beech or oak veneered finish. The veneered surfaces have been lacquered. The standard laminates are birch, white and medium grey.

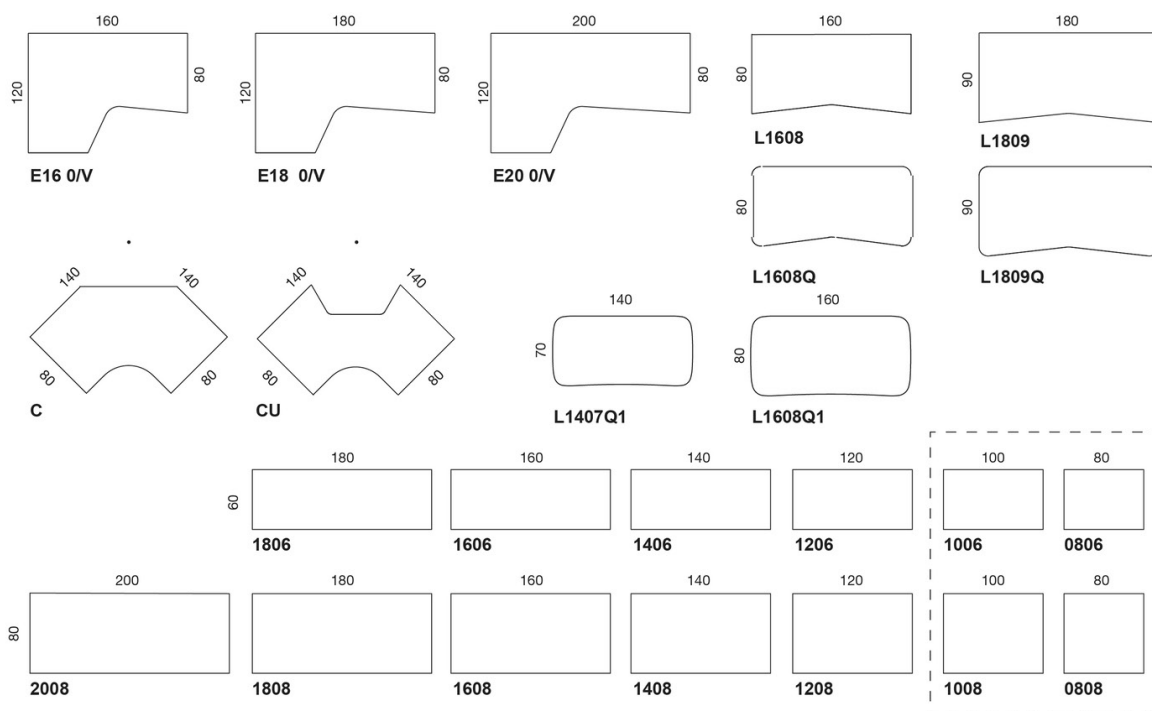
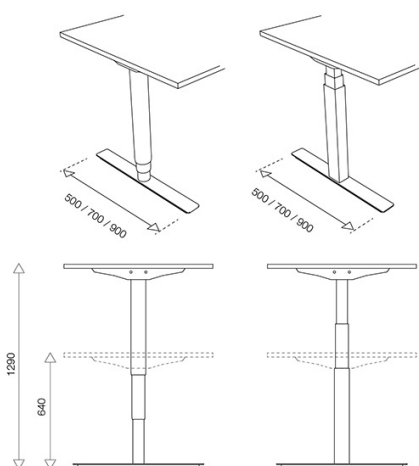
Base epoxy-lacquered steel in colour grey, white, black, chromed or Inspiring Colours.

2 motors.

\* 120x60 cm is the smallest separate table for electrical legs.

# ALKU S&S

DESIGN IIRO VILJANEN



\* 100-60 x 60, 100-40 x 80 sizes are available only for extension tops  
 \* 100-60 x 60, 100-40 x 80 koot vain lisäkansissa  
 \* 100-60 x 60, 100-40 x 80 storlekar endast för extra tops