

BEATBOX MANUAL

Inspiring
spaces

Martela

Beatbox seating unit has two positions; use position and a storage position.

Take into use:

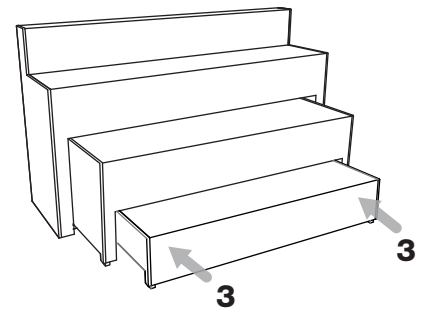
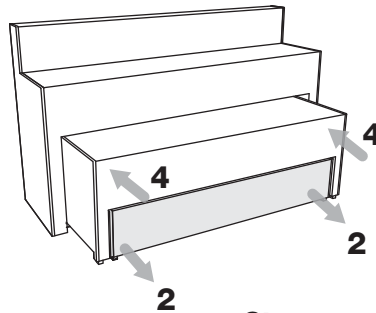
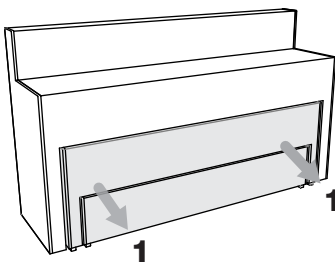
Two people are needed for opening and closing of the seating unit. The unit has three rows of seats at different heights, which are intended for sitting only. Unit can be taken into use position by pulling the two lower seat portions out according to the instructions. In the use position each row of seats can be used by maximum four people, and the entire seating unit can be used by up to 12 people. There is a backrest for the top row of seats, which is not allowed to be used as a seat. The seating unit is not allowed to be moved in open position.

Storage:

In the storage position, the bottom two rows of seats are pushed into the unit according to the instructions. And all the front faces of all the rows of seats are part of the same surface. When the unit is in the storage position, it cannot be used for sitting.

Moving:

The seating unit can only be moved in the storage position. Two people are required for the moving.

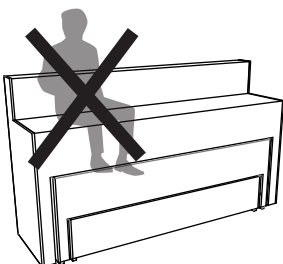


Take into use:

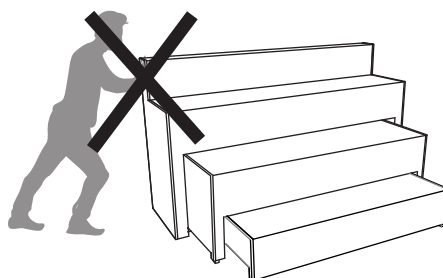
1. The two lower rows of seats will come out of the seating unit at the same time by pulling the middle row of seats at the bottom. Pull the rows until the limiter stops the movement. (c. 550 mm)
2. The lowest row of seats is opened by pulling the seat row at the bottom at the point indicated by the arrows until the limiter stops the movement. (c. 480 mm)

Storage:

3. First the lowest row of seats is pushed inside the middle row of seats in such a way that both fronts become part of the same surface.
4. Finally, both the two lower rows of seats are pushed from the middle row into the unit, until all the fronts become part of the same surface.



Don't sit on the seating unit when it's in storage position.



Don't move the seating unit when it's in use position.



Don't sit on the back rest.