

# GRIP NxT

DESIGN MIKKO HALONEN



**Product code number:**

NxT0013

NxT0013XY = with footring

**Adjustments:**

Seat height adjustable with a gas spring.

Adjustment range 37-50 cm, the higher XY version adjustment range 43-62 cm.

Can be hung without a separate fitting

**Fabric consumption:** 0.5m / 2 pcs

**Accessories:**

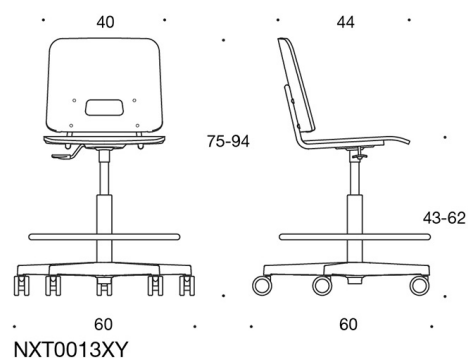
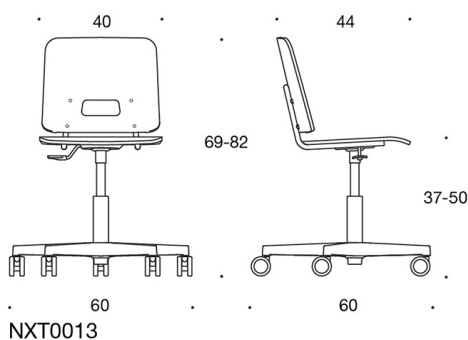
Higher base (XY) and foot ring.

**Material description:**

**Base:** Polished aluminium or black plastic star base. Castors or glides.

**The form-pressed seat and backrest in laminate:** oak or birch pattern, white, grey, green, orange and turquoise.

Upholstered seat cushion also available.



# GRIP Nxt

DESIGN MIKKO HALONEN

Inspiring  
spaces

**Martela**

