

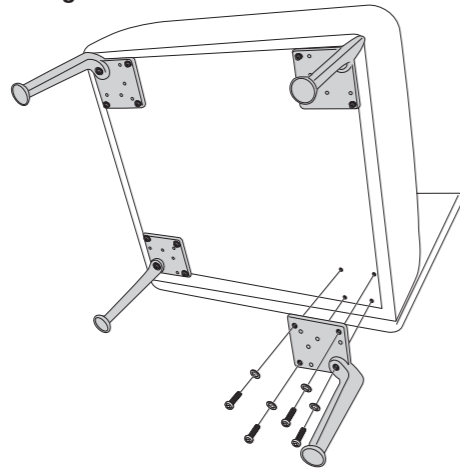
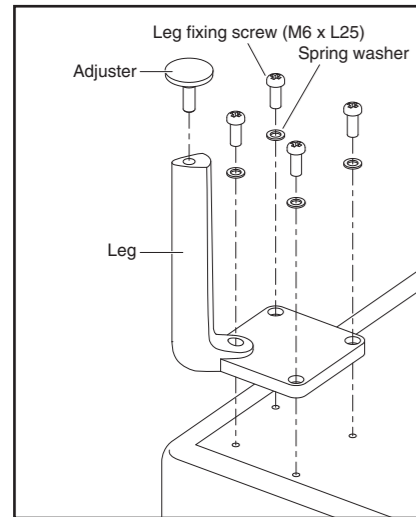
## Assembly Instructions

Follow the instructions to ensure proper assembly.

### 1 Attaching the legs

\* Place the sofa on a soft sheet such as curing sheet.

- ① Place the sofa body upside down.
- ② Attach the leg to the bottom of the sofa body with the leg fixing screw and spring washer.
- ③ Attach the adjuster to each leg.



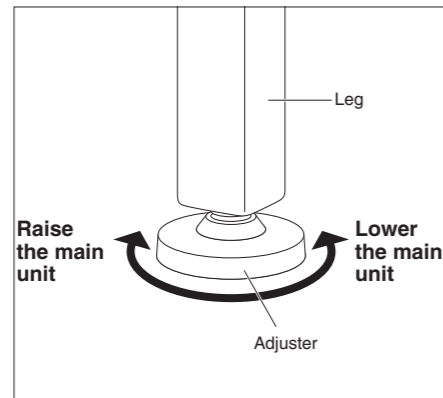
## Operation Guide

### ■ Adjusting the adjuster

The height can be adjusted by turning the adjuster at the bottom of the product. The adjustable range is from 0 to 10 mm (0 to 0.4 in.). When installing, adjust with the four adjusters so the product is horizontal to the floor.

#### ⚠ Caution

When adjusting the adjuster, make sure to do it with two or more people to avoid hands or fingers from getting caught in between.



## Instructions to Extend the Life of Product

Please follow instructions below.

Failure may cause serious damage to the product and Okamura will have no responsibility for any damages.

## Operating Precautions and Maintenance

- If the product has become unsteady due to loosening of the bolts or screws during use, retighten them immediately.
- Do not use in places exposed to vapors. This could cause rusting.
- If you spill tea, coffee, detergent, medicine, or some other liquid on the product, wipe off immediately.
- If the product gets wet with water, wipe off with dry and soft cloth.
- This instruction manual is very important, so store it in an easily accessible location.
- Regular maintenance is recommended for long-life use. Make your request to us early for inspections and repairs (fees required) when the warranty period has expired.

## Maintenance

### For daily care

- Always use a soft dry cloth for daily care.

### For exceptionally dirty case

- Dip a soft cloth into mild solution of neutral detergent (1 - 3%) and wring it out to wipe away the dirt. Then, wipe off the detergent thoroughly with a soft dry cloth.

### Notes on maintenance

- When using commercially available cleaner, try it out on an obscure part to check for discoloration before use.
- \* For upholstered parts
  - After tapping the surface by hand, use a brush or vacuum cleaner to remove the dust.

## Materials and Surface Finish

	Part	Materials	Surface Finish
Back/Seat	Covering material	Polyester 100% (Recycled 51%)	—
	Cushion	Polyurethane, Feather	—
	Core material	Laminated wood (rubber tree), Recycled polypropylene	—
Leg		Aluminum >AL<	Polished
Adjuster	Body, Bottom material	Recycled ABS >Recycled ABS<	—
	Shaft	Steel	Unichrome plating
Caster	Wheel	Polyurethane	—
	Body	Polyamide	—

\* > XX < indicates the materials of the parts. This information is useful for recycling.

\* Please understand that product specifications might change without prior notification due to improvements made to the product.

**okamura**

OKAMURA CORPORATION

INTERNATIONAL SALES & MARKETING DIVISION  
 2-14-27, Akasaka, Minato-ku, Tokyo 107-0052, JAPAN  
 Tel : +81-3-5561-4085 Fax : +81-3-5561-4086  
<http://www.okamura.jp/>

H00652  
 2016-04

Office System

# Muffle

<Sofa>

## Instructions for Use



okamura

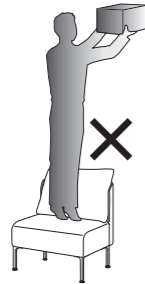
## Safety Instructions (Make sure to follow these instructions)

**Caution** User must follow this instruction to prevent accidents and injuries, or damages to their property.

### Caution

Do not handle roughly, or use improperly. Failure to follow the safety precautions may cause injury or damage to the product.

- Do not use this product as a step stool.
- Do not use this product (sofa equipped with casters) as a transportation equipment.
- Do not stand on this product and do not sit on the front edge of the seat.
- Only sit on the seat.



Do not put your fingers or hands into the spaces or moving parts of the product. This may lead to injuries.

Be careful of the following items since it may cause you to fall or damage the product.

- If found unstable due to loosening of bolts or screws, retighten them.
- Do not use the product if any parts are separated from it.

Be careful of the following items when moving the product due to layout change, etc.

- Make sure to move the product with two or more people.
- Make sure that there is no obstruction or danger in the surroundings when moving the product.

### Urethane casters

- Urethane casters deteriorate with age due to hydrolysis, mold growth, or ultraviolet light and degradation such as cracking and peeling will occur. Deterioration speed due to aging may vary depending on the environment of usage. If you find degradation, it is recommended to change the casters immediately.

### Do not disassemble or repair on your own.

- Do not attempt to disassemble or repair the product yourself. Please contact our official dealers when needed.
- If found any loose bolts or screws, do not use the product. Failure may cause damage to the product and result in injury.

### Do not alter the product construction. This leads to malfunction or accident.

- Altering the product construction may cause product malfunction or lead to accidents. Okamura will have no responsibility for any disadvantages caused by remodeling.
- If you need to alter the product construction, please contact our official dealers beforehand.

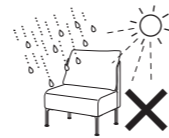
## Installation

Please follow instructions below.

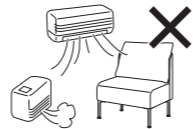
Failure may cause serious damage to the product and Okamura will have no responsibility for any damages.

### Indoor use only.

- No outdoor or waterfront use.



### Do not place product under heater or air-conditioner exhausting high temperature air.



### Avoid high temperature, high humidity, or extraordinary aridity.

### Avoid direct sunlight.

- When placing alongside windows, use curtains or blinds to avoid direct sunlight.

### Do not place on uneven floor.

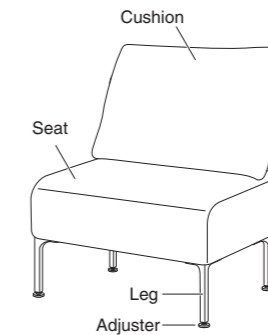
- Make sure to place the product on an even floor when using. Failure may cause the product to deform or to be damaged.
- Adjust using the adjusters so the product is horizontal to the floor.

## Appropriate Ventilation Measures

- Many chemical substances will be released by the product when it is first purchased. Sufficiently ventilate or expose the product to moving air for some time after purchasing it.
- Do not completely close windows when using the product in rooms with conspicuously high temperatures/humidity (the benchmarks for these are temperatures in excess of 28°C (82.4°F) and relative humidity in excess of 50%).

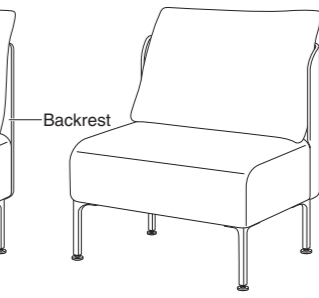
## Part Names

### ■ Sofa



### ■ Sofa

(Two sides round type)



### ■ Sofa

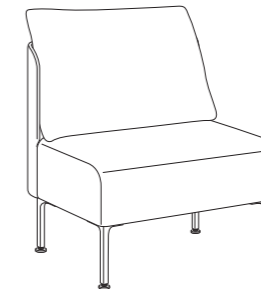
(Two sides round caster type)



\* The cushion is separate from the backrest and seat.

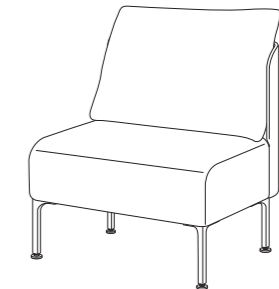
### ■ Sofa

(One side round type R)

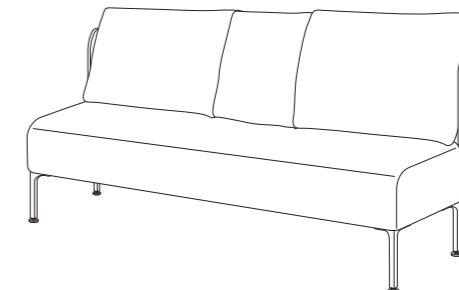


### ■ Sofa

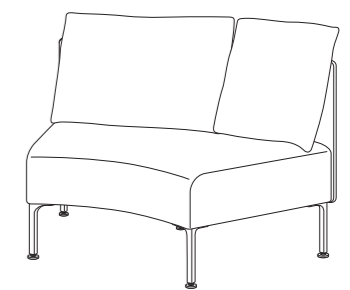
(One side round type L)



### ■ Sofa (three people)



### ■ Sofa (Corner type)



\* The cushion is separate from the backrest and seat.