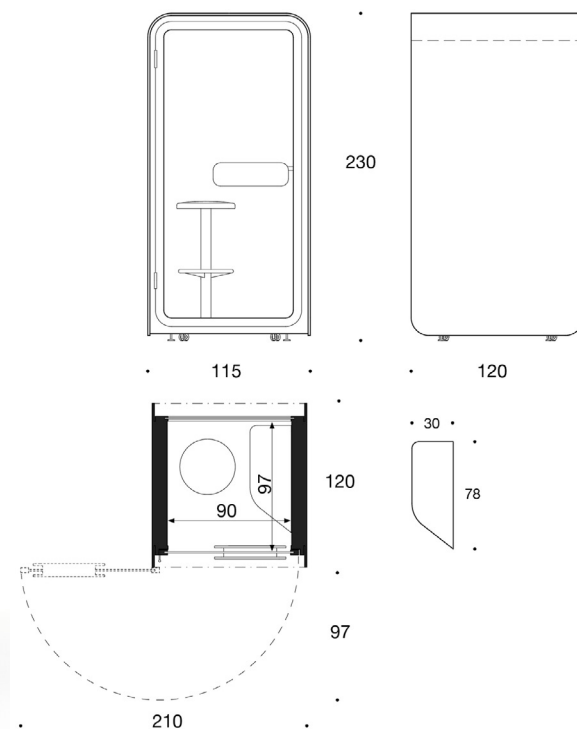


PODBOOTH

DESIGN o4i Design Studio



Material description:

Exterior:

Sound-absorbing, tempered and laminated glass.
Acoustic walls and ceiling.
Exterior surface upholstered.
Exterior surface laminate or veneer (available summer 2019).
Laminate and veneer versions with plywood edge.
Glass frames and door handle black laminate.

Interior:

Dirt repellent and anti-static carpet, black.
Walls and ceiling felt, dark grey.
Tabletop and backplate black laminate.

Dimensions:

Outside:

Width 115 cm x depth 120 cm x height 230 cm.

Inside:

Width 97 cm x depth 90 cm x height 200 cm.

Room height min.: 250 cm.

Standard equipment:

Levelling glides.
LED lighting and air circulation system with occupancy sensor.
Integrated tabletop.
Electric socket and charging USB.
The cable location can be selected during installation.
Magnet closing door.
Left handed door.

Accessories:

Integrated seat with a foot ring, base black.
Seat available with several upholstery options.
Wall-mounted coat hanger holder with or without a mirror, black.
Coat hanger, black.
Castors.

Edge:

- plywood

Seat fabric:

- standard fabric from Martela collection



The inner wall & ceiling:

- dark grey felt

Table top & back panel:

- black laminate

Handle:

- black laminate

Door and window frames :

- black laminate

Floor:

- dirt repellent & anti-static carpet, black

Veneers



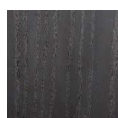
TA



SA



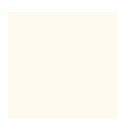
SAP1



SAP9

- TA = oak veneer
- SA = ash veneer
- SAP1 = white stained ash
- SAP9 = black stained ash

Laminates uni colors



L11



L16



L21



L22



L23



L32



L30



L31



L25



L24



L26



L27



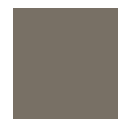
L29



L28



L33



L35

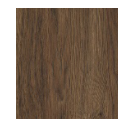


L34

wood grains



TL1



TL2

matt surfaces



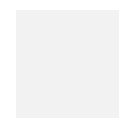
LM14



LM15



LM16



LM11

Fabrics:

Breeze Fusion
 Capture
 Chili
 Crisp
 Felicity
 Medley
 Swing
 Soul Melange

BF
 CPT
 CH
 CR
 FE
 MED
 SW
 SOM

