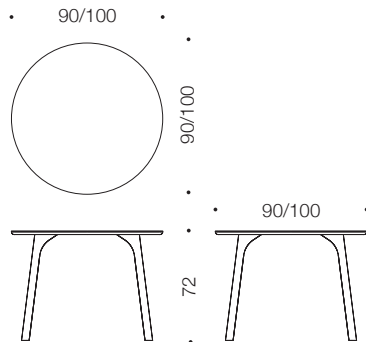
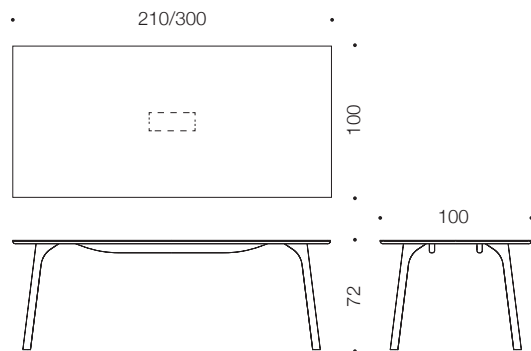


TOMU table

design Mikko Halonen

The elegant Tomu table is made entirely of wood. The beautifully designed table legs are made of solid wood and are attached to the top without any separate fittings. The plywood table top is available with laminate or veneer on the surface. On the edge of the table top there is a visible beveled plywood edge. The standard materials of the table legs are birch and oak, either varnished or painted.

The Tomu table is available in many different sizes, ranging from a small coffee table to a big size suitable for conference rooms. The table is also available in bar height. In bigger table sizes there are two stretchers under the table top that help stabilize the top. The stretchers are also helpful when running electric cables to the end of the table between the top and a panel attached to the stretchers. There is a possibility to have an electric and data unit on the table top.



ARKTIS

MATERIALS AND FINISHING

Solid wood frame (birch / oak)
Table top: plywood with veneer surface (birch / oak / laminate)
Varnishing

Options

Frame and top: staining

ARKTIS furniture Oy
Finland
T +358 400 740212
sales@arktis.fi
www.arktis.fi